



awnings

terrace awnings
balcony awnings

1st edition

selt
sun protection systems



TABLE OF CONTENTS

About Selt SPS	3
Malta	4
Silver Plus	8
Australia	12
Jamaica	16
Palladio	22
Dakar	26
Italia	30
Balcony Italia	34
Box Italia	38



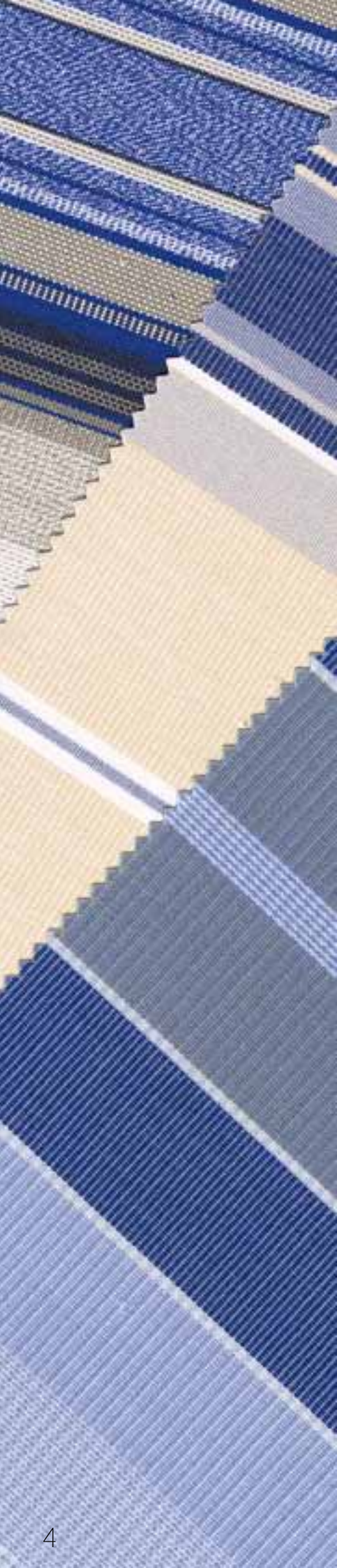
SELT

SELT Sun Protection Systems has been active on the market since **1980**. We specialize in manufacturing external shading systems. Our cooperation with architects and investors begins at the project stage, through implementing innovative solutions tailored to the individual needs of each client.

Selt company is a modern and innovative enterprise, employing **250** people and covering an area of over **30 000** square meters, where you can find machine parks, warehouses, laboratories and offices. In **2011** Selt launched its own powder coating facility and started construction of a new office and production complex, covering an additional area of **27 000** square meters. This investment is predicted to be

finished by the beginning of **2013**. By this time the employment in the company should increase by another **100** people, and the new complex will employ over **300** people.

Dynamic development and innovative approach towards sun shading systems is reflected in steadily growing turnover and increasing expansion in new markets. Our involvement in the following projects can attest to that: **Russian Embassy in Vienna**, **RTBF Television building in Charleroi**, **Town Hall in Oslo**, **Galeon yachts**, **National Stadium in Warsaw**, **PGE Arena Stadium in Gdansk**, **Forest Opera House in Sopot**, hotels, apartments, office buildings and many more.



terrace awning

Malta

CASSETTE	no
ROLLER TUBE	80mm diameter
MOUNTING	wall, ceiling
PROJECTION	1.6m; 2.1m; 2.6m; 3.1m
MAXIMUM PROJECTION	3.1m
MAXIMUM WIDTH	5.0m
MINIMUM WIDTH	projection + 0.3m
ARMS	folding, aluminum, with springs and plate Flyer's chain
OVERLAPPING ARMS	no
TILT ANGLE	5°~70° (mounting on the wall) 5°~85° (mounting to ceiling)
OPTIONAL HOOD	no
CONSTRUCTION COLOUR	powder coating: white, beige, brown, graphite, silver+graphite
FABRIC	over 100 patterns
VALANCE	standard height 21cm (±0.5cm), shape like in the provided template, maximum height 40cm
MANUAL OPERATION	crank: 1.5m; 1.8m; 2.2m
AUTOMATIC DRIVE	motor, motor with manual override, remote control, wind-sun weather control



Malta is a light, free-hanging awning, perfect for shading smaller terraces or balconies. Its compact construction features a universal ceiling and wall bracket, which enables fast and simple assembly and also allows for setting a tilt angle up to 85 degrees. Flyer plate link chain used in the articulated joints makes them durable and reliable. The construction of the awning is powder lacquered in five standard colours.



terrace awning

Malta



valance

There are three valance shapes available in our offer: **C**, **D**, & **E** (see pictures below). Standard valance height is 21cm. The valance is aesthetically finished with binding trim. For **PLAIN** fabrics, the only available valance type is **E**.



construction colours

For powder coating Selt company uses paints provided by renowned Swiss company - IGP. Using the **IGP-DURA®Clean** powders gives us a coating characterized by a surface that is resistant to dirt and easy to maintain.



Powderful Solutions.



RAL 9010



RAL 1015



RAL 8016



RAL 7021



RAL 9006
RAL 7021

Crank and gearbox are available in following colours: RAL 9010, RAL 9013, RAL 8017, RAL 7035, RAL 7016.

fabric

All of the acrylic fabrics are impregnated using the protective agents **TEFLON** or **SCOTCHGARD**. They provide excellent protection and strengthen the fabric's resistance to water and dirt. It is important to remember that conditions such as acid rain, organic matter contamination and cleaning the fabric with abrasive chemicals may destroy the protective surface of the fabric.



construction

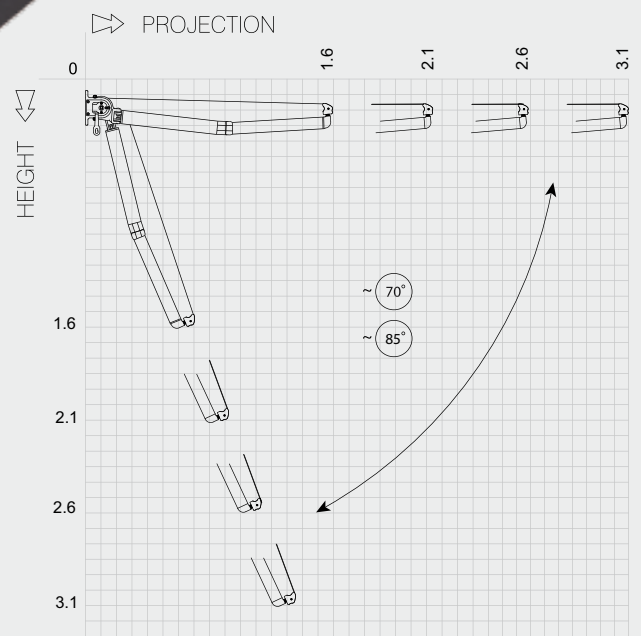
Light and solid brackets forged from aluminium ensure durability and relatively low weight of the construction. Universal bracket provides two options of assembly, either to the wall or ceiling.

automation

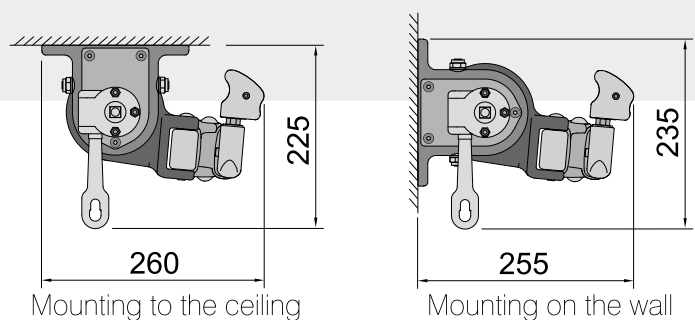
We offer such solutions from leading European manufacturers as: full wind and sun automation, motors with wireless or wire control and cranks.



mounting



Tilt angle adjustment





terrace awning

Silver

P I U S

CASSETTE	no
ROLLER TUBE	70mm and 80mm diameter
MOUNTING	wall, ceiling, roof
PROJECTION	1.6m; 1.9m; 2.2m; 2.5m
MAXIMUM PROJECTION	2.5m
MAXIMUM WIDTH	5.3m
MINIMUM WIDTH	projection + 0.4m
ARMS	folding, aluminum, with springs and plate Flyer's chain; in case of overlapping arms minimum width = projection - 0.4m
OVERLAPPING ARMS	yes
TILT ANGLE	5° ~ 40°
OPTIONAL HOOD	yes
CONSTRUCTION COLOUR	powder coating: white
FABRIC	over 100 patterns
VALANCE	standard height 21cm (±0.5cm), shape like in the provided template, maximum height 40cm
MANUAL OPERATION	crank: 1.5m; 1.8m; 2.2m
AUTOMATIC DRIVE	motor, motor with manual override, remote control, wind-sun weather control



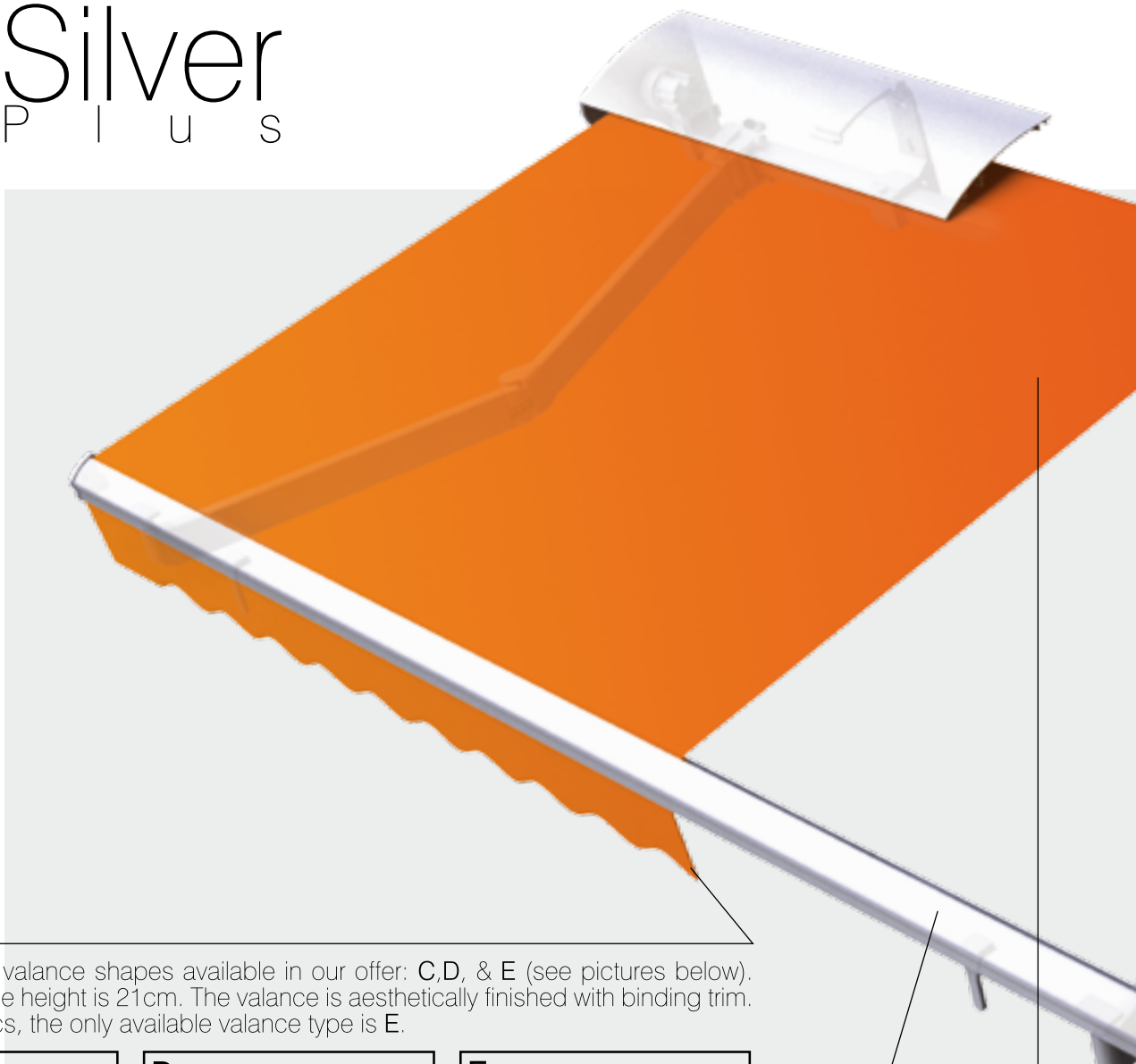
Silver Plus has a light construction, which makes it a very economic solution for shading terraces and balconies of medium size. Folding arms of special aluminium alloy are installed on brackets made by machines using numerical control. A plate link chain applied to the articulated joints makes them strong and durable. A solid steel square bar supports the construction. This solution gives relative freedom of bracket location and simplifies the awning installation. An optional aluminium hood protects the rolled-up fabric and enhances the aesthetic look of the whole awning. Construction elements are powder lacquered in white colour. There is the possibility to use overlapping arms in this awning.



terrace awning

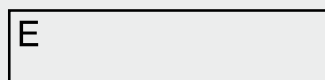
Silver

P I U S



valance

There are three valance shapes available in our offer: C,D, & E (see pictures below). Standard valance height is 21cm. The valance is aesthetically finished with binding trim. For **PLAIN** fabrics, the only available valance type is E.



construction colours

For powder coating Selt company uses paints provided by renowned Swiss company - IGP. Using the IGP-DURA®Clean powders gives us a coating characterized by a surface that is resistant to dirt and easy to maintain.



Powderful Solutions.



RAL 9010

fabric

All of the acrylic fabrics are impregnated using the protective agents **TEFLON** or **SCOTCHGARD**. They provide excellent protection and strengthen the fabric's resistance to water and dirt. It is important to remember that conditions such as acid rain, organic matter contamination and cleaning the fabric with abrasive chemicals may destroy the protective surface of the fabric.



construction

Square construction beam provides relative freedom of bracket placement. Using aluminium hood ensures protection for the fabric from adverse weather conditions.

automation

We offer such solutions from leading European manufacturers as: full wind and sun automation, motors with wireless or wire control and cranks.

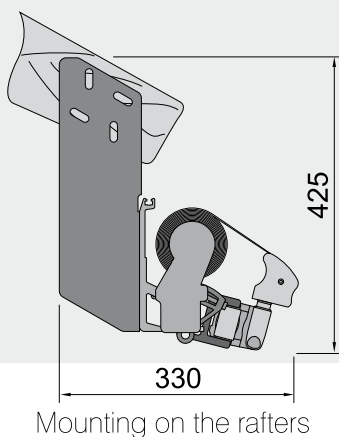
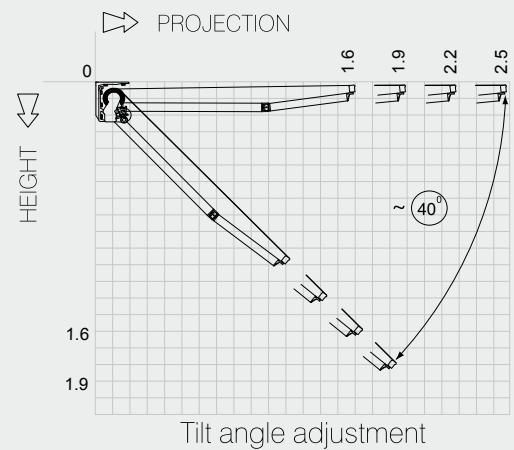
HOME MOTION by
somfy



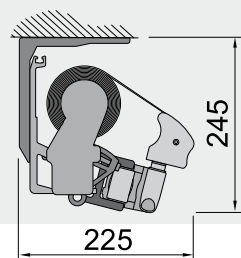
HERUBINI



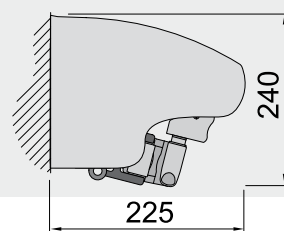
mounting



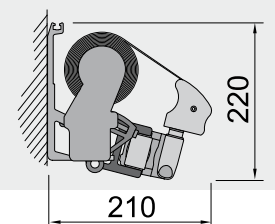
Mounting on the rafters



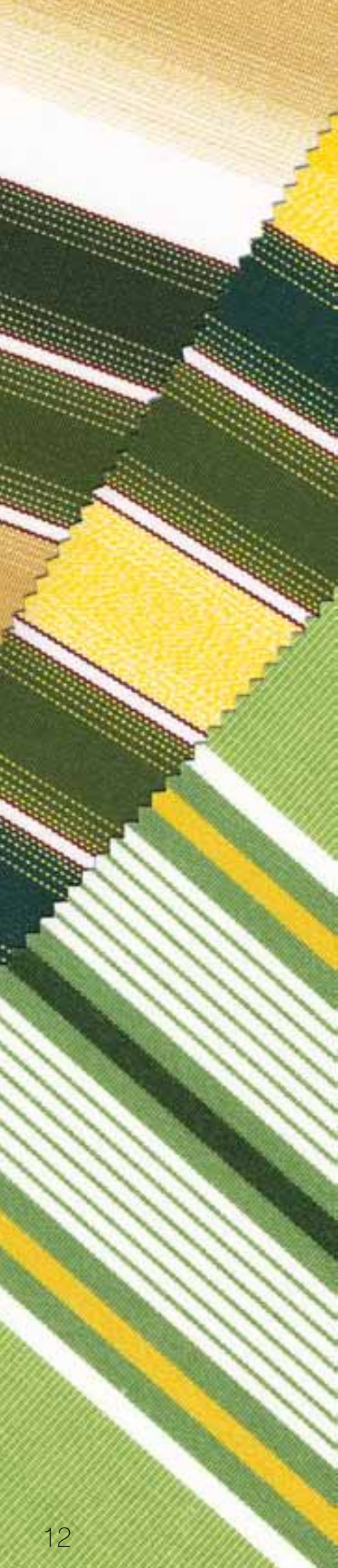
Mounting on the ceiling



Mounting on the wall
option with hood



Mounting on the wall



terrace awning

Australia

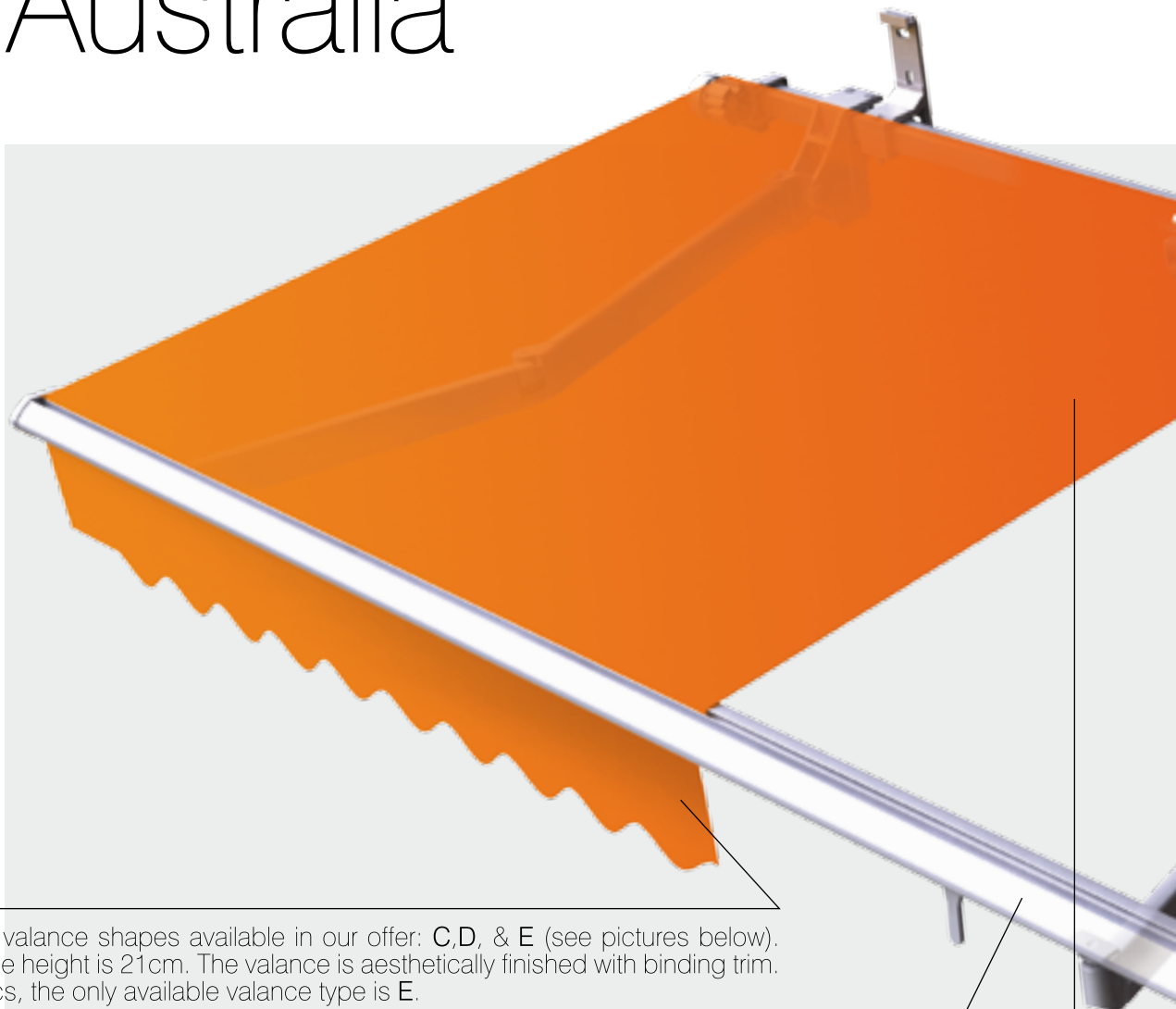
CASSETTE	no
ROLLER TUBE	70mm and 80mm diameter
MOUNTING	wall, ceiling, roof
PROJECTION	1.6m; 2.1m; 2.6m; 3.1m; 3.6m
MAXIMUM PROJECTION	3.6m
MAXIMUM WIDTH	7.0m
MINIMUM WIDTH	projection + 0.35m
ARMS	folding, aluminum, with springs and plate Flyer's chain, folded arm levelling, in case of overlapping arms minimum width = projection - 0.4m
OVERLAPPING ARMS	yes
TILT ANGLE	5° ~ 60°
OPTIONAL HOOD	no
CONSTRUCTION COLOUR	powder coating: white, beige, brown, graphite, silver+graphite
FABRIC	over 100 patterns
VALANCE	standard height 21cm (±0.5cm), shape like in the provided template, maximum height 40cm
MANUAL OPERATION	crank: 1.5m; 1.8m; 2.2m
AUTOMATIC DRIVE	motor, motor with manual override, remote control, wind-sun weather control



Australia is perfect for big terraces. Simple construction and high-quality workmanship make it suitable for commercial applications. The awning's folding arms are installed on aluminium brackets made through pressure casting. The precise manufacture of the articulated joints, as well as the plate link chain applied in them, provide durability and dependable operation of the awning. A central support for the roller tube in the case of particularly wide awnings compensates for tube deflection, thus providing good fabric tension. The construction is supported by a square steel beam that gives relative freedom of bracket location and simplifies the awning installation. The construction of the awning is powder lacquered in white, graphite, silver with graphite finish, beige, and brown. There is a possibility to use overlapping arms in this awning.



Australia



valance

There are three valance shapes available in our offer: C, D, & E (see pictures below). Standard valance height is 21cm. The valance is aesthetically finished with binding trim. For PLAIN fabrics, the only available valance type is E.



construction colours

For powder coating Selt company uses paints provided by renowned Swiss company - IGP. Using the IGP-DURA®Clean powders gives us a coating characterized by a surface that is resistant to dirt and easy to maintain.



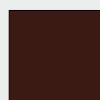
Powderful Solutions.



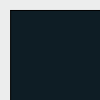
RAL 9010



RAL 1015



RAL 8016



RAL 7021



RAL 9006
RAL 7021

Crank and gearbox are available in following colours: RAL 9010, RAL 9013, RAL 8017, RAL 7035, RAL 7016.

fabric

All of the acrylic fabrics are impregnated using the protective agents **TEFLON** or **SCOTCHGARD**. They provide excellent protection and strengthen the fabric's resistance to water and dirt. It is important to remember that conditions such as acid rain, organic matter contamination and cleaning the fabric with abrasive chemicals may destroy the protective surface of the fabric.



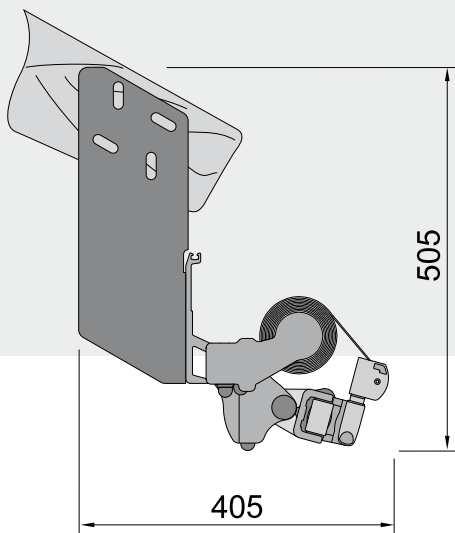
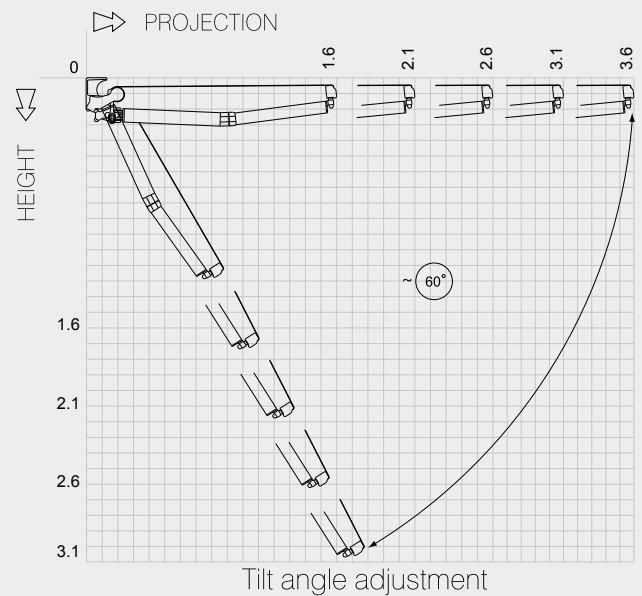
Square construction beam provides relative freedom of bracket placement. Brackets made from pressure cast and extruded aluminium provide high durability with relatively low weight.

automation

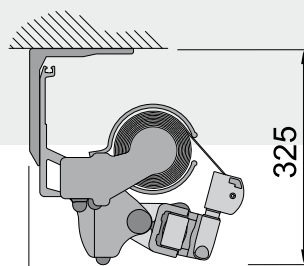
We offer such solutions from leading European manufacturers as: full wind and sun automation, motors with wireless or wire control and cranks.



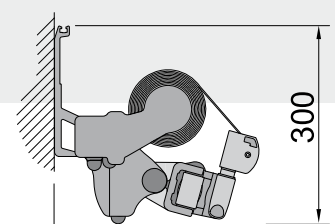
mounting



Mounting on the rafters



Mounting on the ceiling



Mounting on the wall

terrace awning

Jamaica

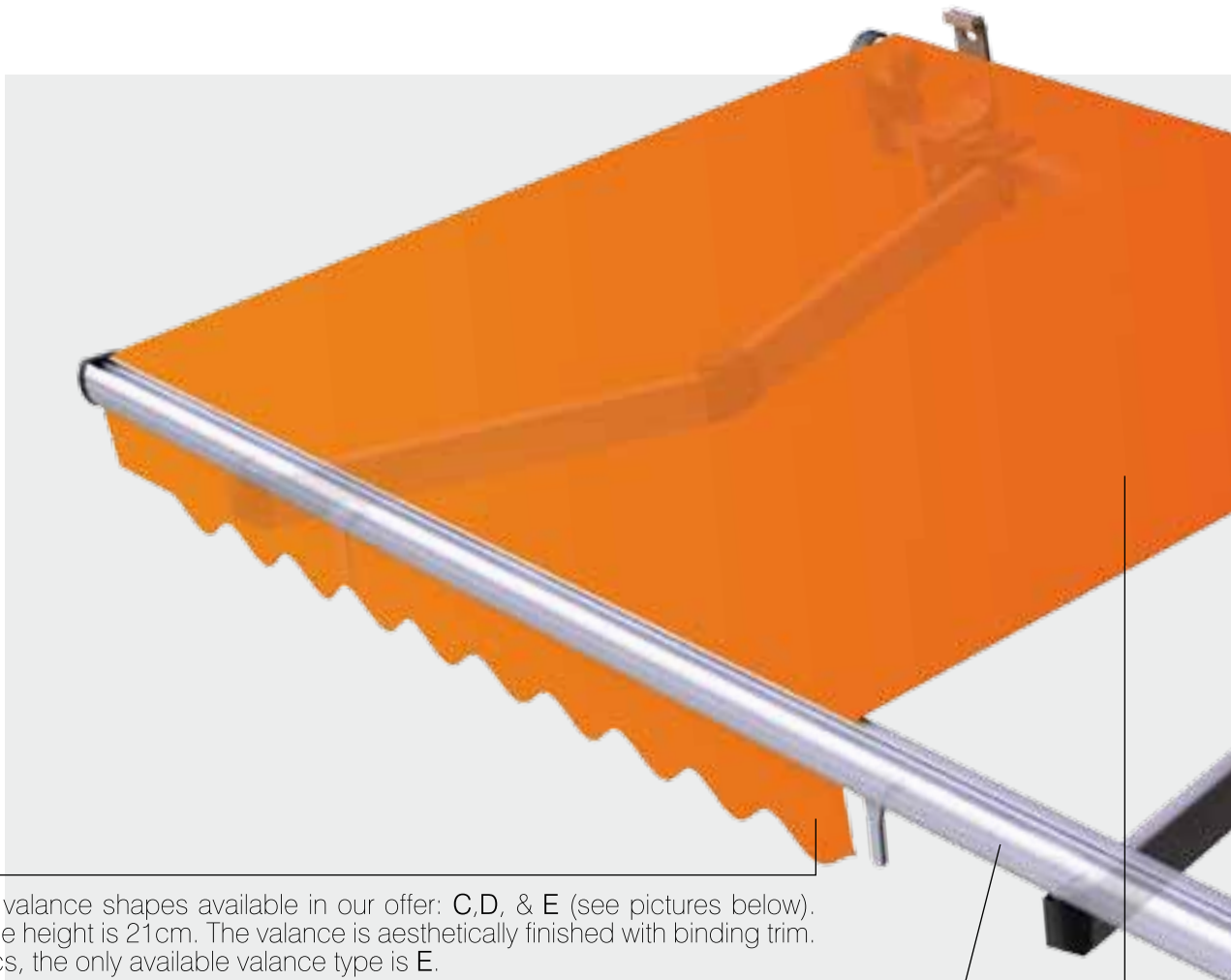
CASSETTE	no
ROLLER TUBE	70mm and 80mm diameter
MOUNTING	wall, ceiling, roof
PROJECTION	1.6m; 2.1m; 2.6m; 3.1m; 3.6m; 4.1m
MAXIMUM PROJECTION	4.1m
MAXIMUM WIDTH	7.0m
MINIMUM WIDTH	projection + 0.5m
ARMS	folding, aluminum, with springs and plate Flyer's chain, folded arm levelling, in case of overlapping arms minimum width = projection - 0.4m
OVERLAPPING ARMS	yes
TILT ANGLE	5° ~ 40°
OPTIONAL HOOD	yes
CONSTRUCTION COLOUR	powder coating: white, beige, brown, graphite, silver+graphite
FABRIC	over 100 patterns
VALANCE	standard height 21cm (±0.5cm), shape like in the provided template, maximum height 40cm
ROLL-UP VALANCE	yes
MANUAL OPERATION	crank: 1.5m; 1.8m; 2.2m
AUTOMATIC DRIVE	motor, motor with manual override, remote control, wind-sun weather control



Jamaica combines elegance and strength. Its construction provides high durability under intensive use. It is therefore the perfect choice for big terraces and for commercial applications. The awning's folding arms are installed on special-construction aluminium brackets, made by machines using numerical control. A plate link chain used in the arms and precisely made articulated joints provide long-term dependable operation of the awning. A central support for the roller tube in big awnings ensures even tension of the fabric. The construction is supported with a square steel beam that gives relative freedom of bracket location and simplifies the awning installation. An optional aluminium hood protects the rolled-up fabric. The construction of the awning is powder lacquered in white, graphite, silver with graphite finishing, beige, and brown. There is a possibility to use overlapping arms in this awning.



Jamaica



valance

There are three valance shapes available in our offer: C, D, & E (see pictures below). Standard valance height is 21cm. The valance is aesthetically finished with binding trim. For PLAIN fabrics, the only available valance type is E.



construction colours

For powder coating Selt company uses paints provided by renowned Swiss company - IGP. Using the IGP-DURA®Clean powders gives us a coating characterized by a surface that is resistant to dirt and easy to maintain.



Powderful Solutions.



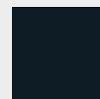
RAL 9010



RAL 1015



RAL 8016



RAL 7021



RAL 9006
RAL 7021

Crank and gearbox are available in following colours: RAL 9010, RAL 9013, RAL 8017, RAL 7035, RAL 7016.

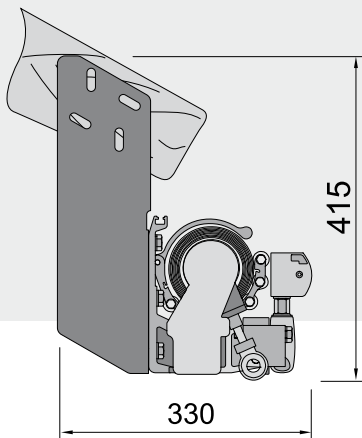
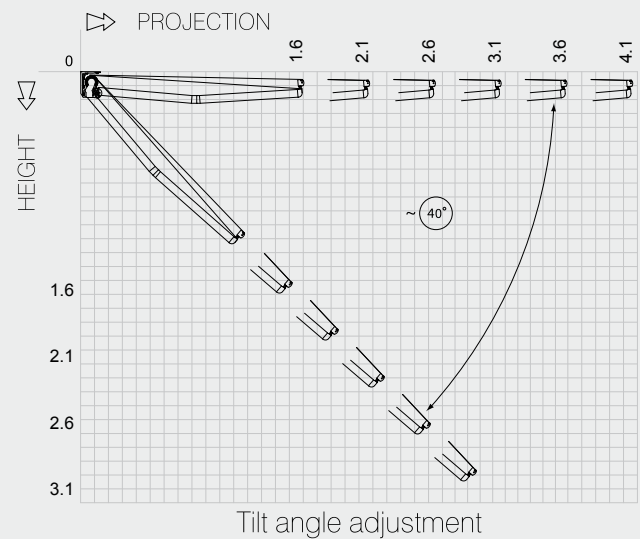
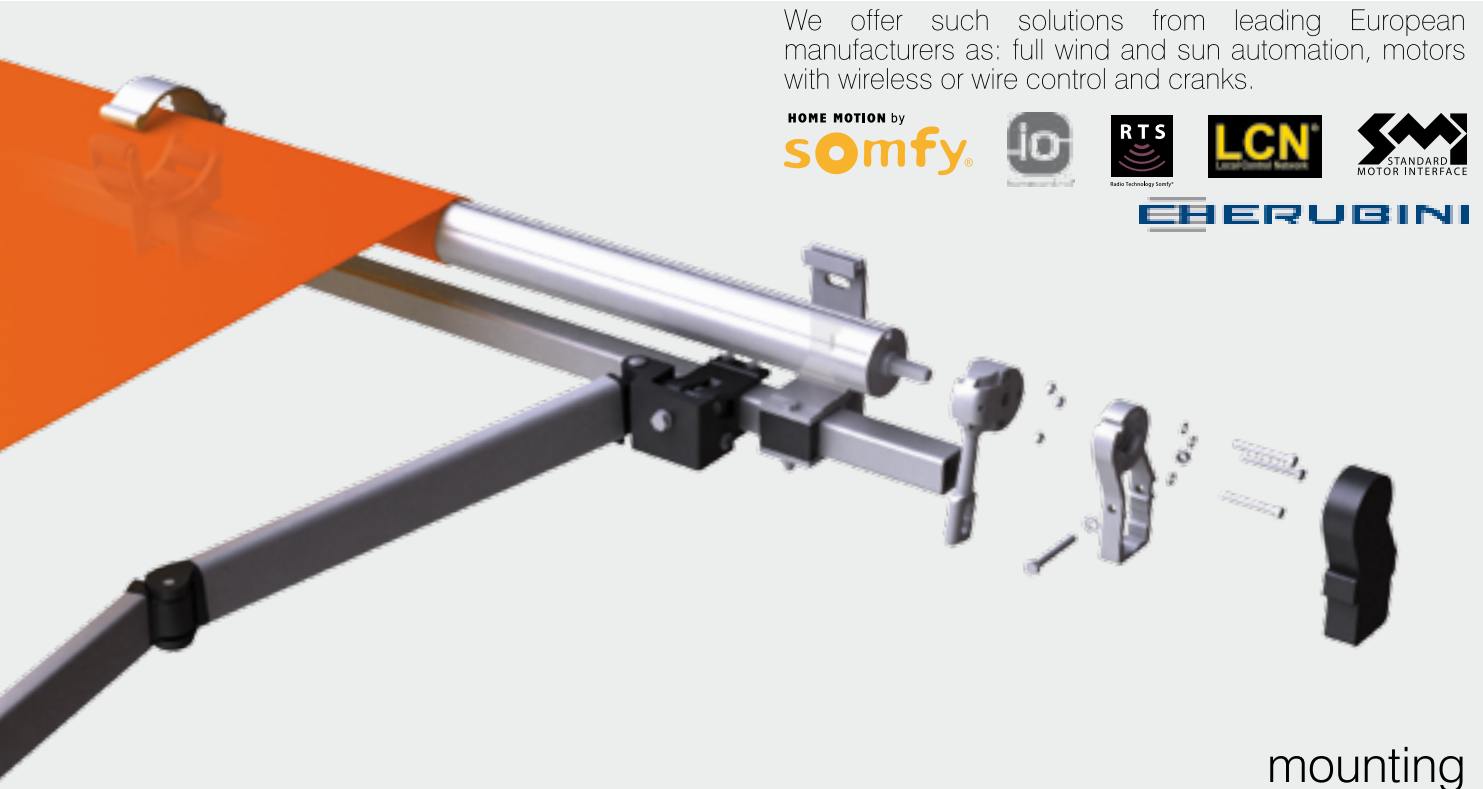
fabric

All of the acrylic fabrics are impregnated using the protective agents **TEFLON** or **SCOTCHGARD**. They provide excellent protection and strengthen the fabric's resistance to water and dirt. It is important to remember that conditions such as acid rain, organic matter contamination and cleaning the fabric with abrasive chemicals may destroy the protective surface of the fabric.

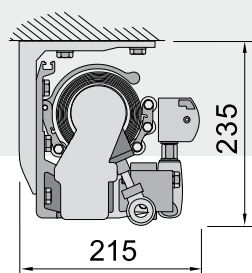


Brackets are made of extruded aluminium with machines using CNC, which allows us to use arms with a 4.1m projection. An optional hood provides protection for the fabric from adverse weather conditions.

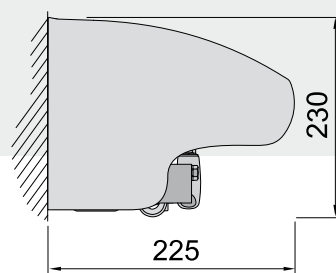
We offer such solutions from leading European manufacturers as: full wind and sun automation, motors with wireless or wire control and cranks.



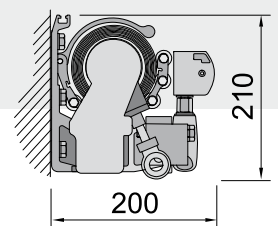
Mounting on the rafters



Mounting on the ceiling



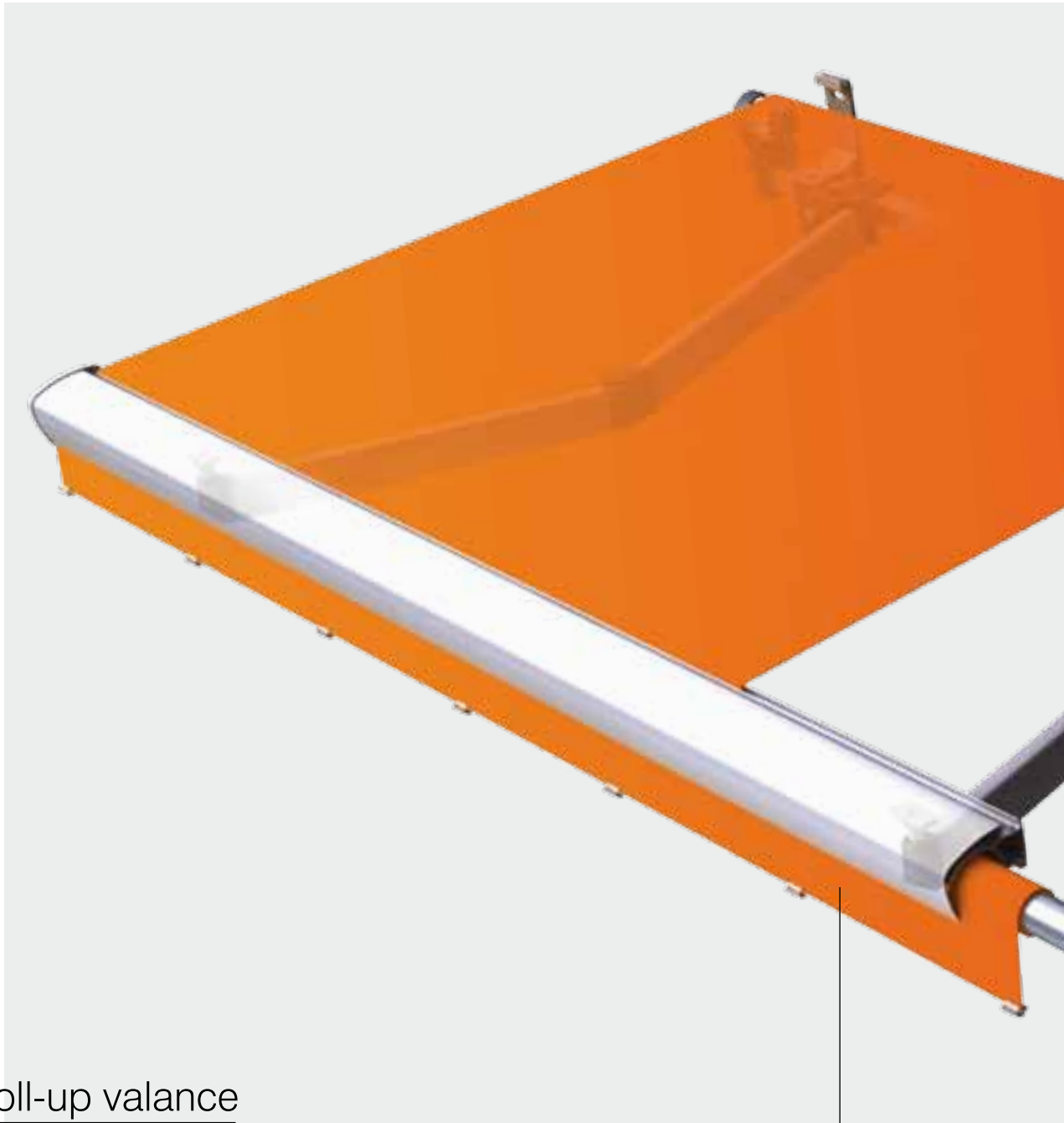
Mounting on the wall option with hood



Mounting on the wall

terrace awning

Jamaica

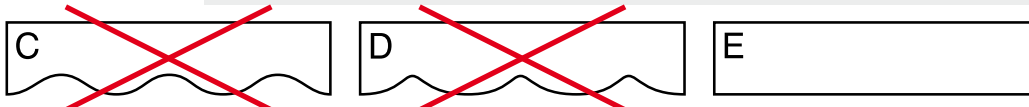


Volant – roll-up valance

The roll-up valance is available only for Jamaica awning.

Technical information for Volant:

- maximum width 6.0m,
- maximum awning projection with Volant: 3.1m,
- maximum length (height): 1.5m,
- available shape: type E (see picture below),
- manual operation.







terrace awning

Palladio

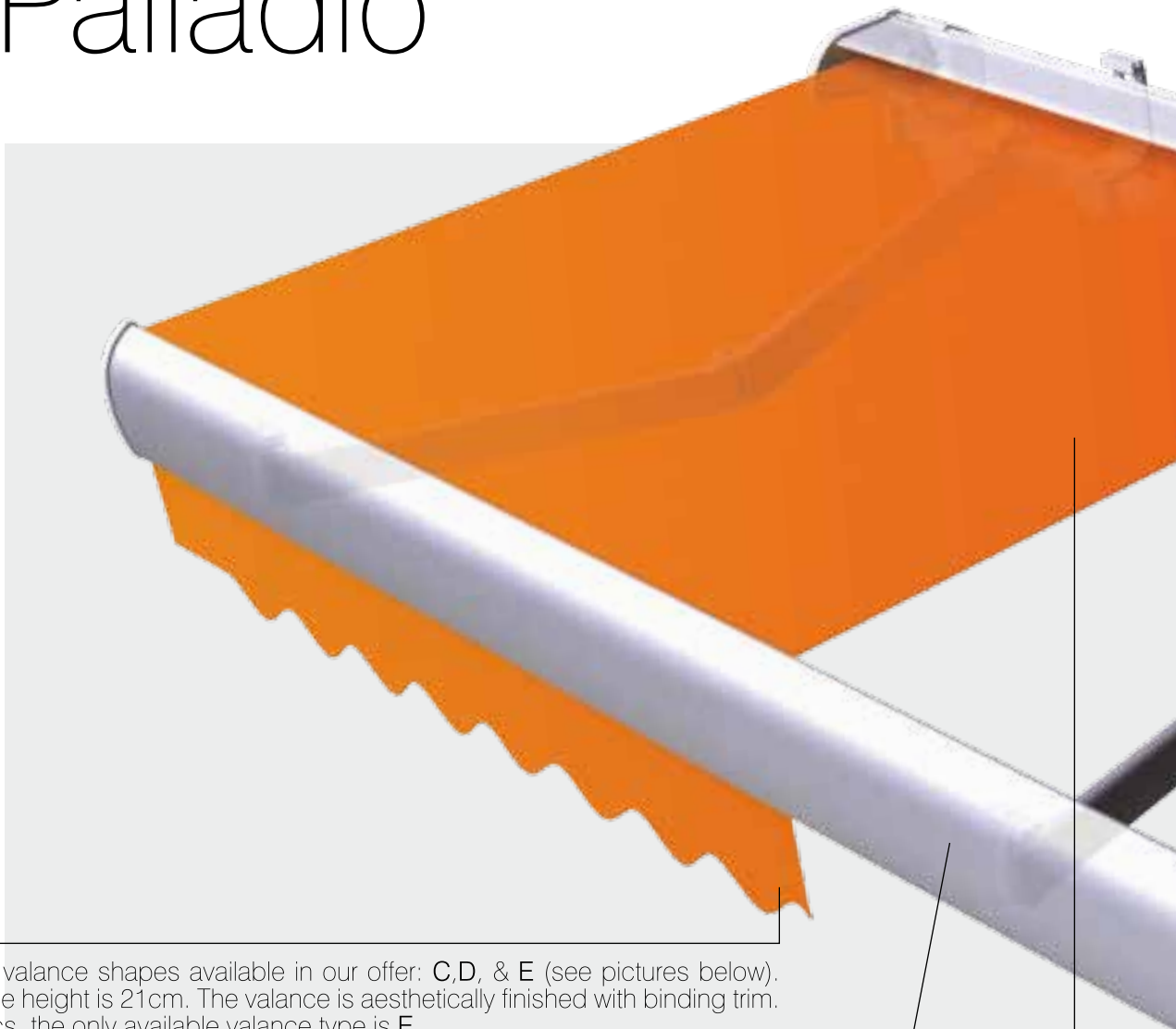
CASSETTE	yes
ROLLER TUBE	70mm diameter
MOUNTING	wall, ceiling, roof
PROJECTION	1.6m; 2.1m; 2.6m; 3.1m; 3.6m
MAXIMUM PROJECTION	3.6m
MAXIMUM WIDTH	7.0m
MINIMUM WIDTH	projection + 0.5m
ARMS	folding, aluminum, with springs and plate Flyer's chain, folded arm levelling
OVERLAPPING ARMS	no
TILT ANGLE	5° ~ 50°
CONSTRUCTION COLOUR	powder coating: white, beige, brown, graphite, silver+graphite
FABRIC	over 100 patterns
VALANCE	standard height 21cm (±0.5cm), shape like in the provided template, maximum height 40cm
MANUAL OPERATION	crank: 1.5m; 1.8m; 2.2m
AUTOMATIC DRIVE	motor, motor with manual override, remote control, wind-sun weather control, motor with electronic limit switches is recommended



Palladio is an elegant cassette awning that looks excellent on terraces. The special arm bracket construction enables lifting the arms and closing the front bar tightly on the cassette, thus covering the rolled-up fabric. A plate link chain applied in the arms and precisely made articulated joints guarantee long-term dependable operation of the awning. Elastic supports for the roller tube ensure even tension of the fabric. Palladio combines the characteristics of a cassette awning and a square beam-based construction. Such solution allows us to fully take advantage of cassette awning functionality and simplifies its installation. The construction of the awning is powder lacquered in white, graphite, silver with graphite finishing, beige, and brown.



Palladio



valance

There are three valance shapes available in our offer: C,D, & E (see pictures below). Standard valance height is 21cm. The valance is aesthetically finished with binding trim. For PLAIN fabrics, the only available valance type is E.



construction colours

For powder coating Selt company uses paints provided by renowned Swiss company - IGP. Using the IGP-DURA@Clean powders gives us a coating characterized by a surface that is resistant to dirt and easy to maintain.



Powderful Solutions.



RAL 9010



RAL 1015



RAL 8016



RAL 7021



RAL 9006
RAL 7021

Crank and gearbox are available in following colours: RAL 9010, RAL 9013, RAL 8017, RAL 7035, RAL 7016.

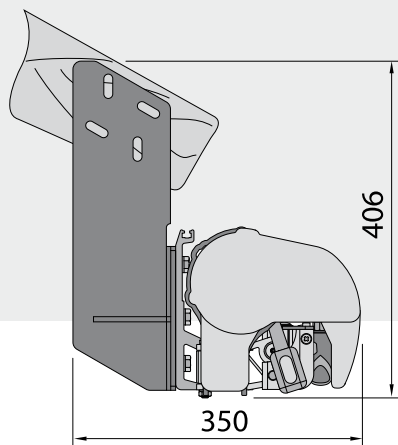
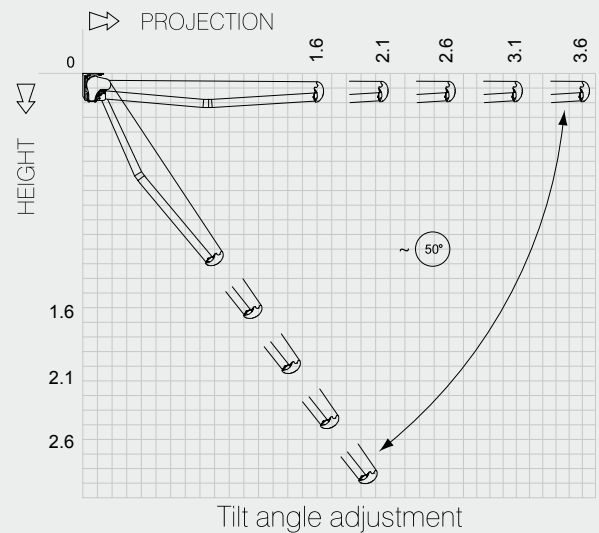
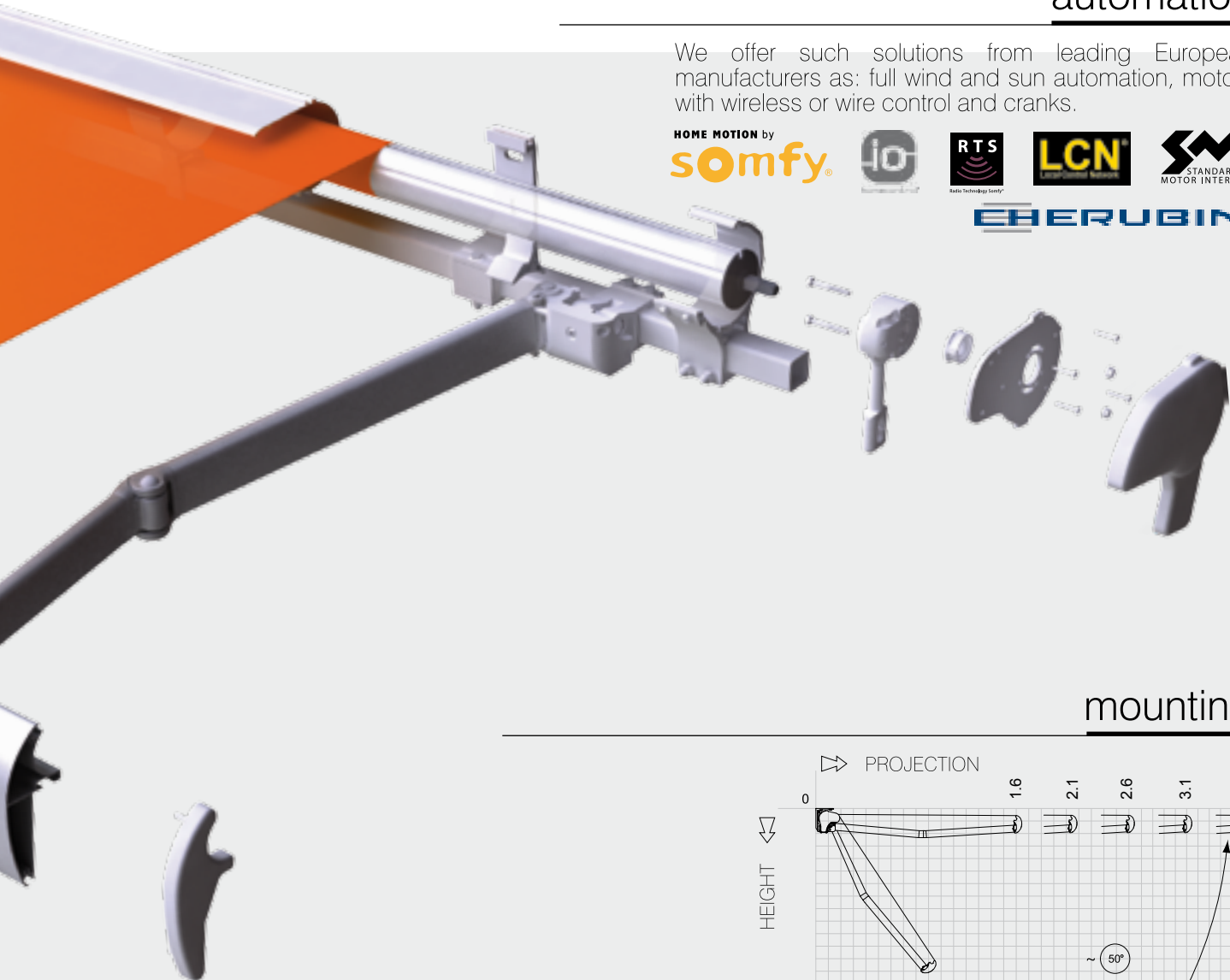
fabric

All of the acrylic fabrics are impregnated using the protective agents **TEFLON** or **SCOTCHGARD**. They provide excellent protection and strengthen the fabric's resistance to water and dirt. It is important to remember that conditions such as acid rain, organic matter contamination and cleaning the fabric with abrasive chemicals may destroy the protective surface of the fabric.

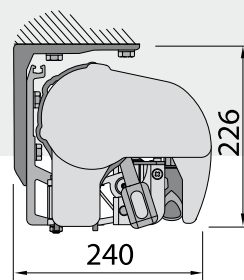


Using a cassette made of extruded aluminium, supported on a square construction beam, provides perfect protection for the fabric and makes installation easy. A special ratchet mechanism in arms' brackets ensures complete closing of the front bar to the cassette.

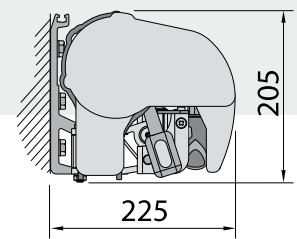
We offer such solutions from leading European manufacturers as: full wind and sun automation, motors with wireless or wire control and cranks.



Mounting on the rafters



Mounting on the ceiling



Mounting on the wall



terrace awning

Dakar

CASSETTE	yes
ROLLER TUBE	80mm diameter
MOUNTING	wall, ceiling, roof
PROJECTION	1.6m; 2.1m; 2.6m; 3.1m; 3.6m
MAXIMUM PROJECTION	3.6m
MAXIMUM WIDTH	6.0m
MINIMUM WIDTH	projection + 0.5m
ARMS	folding, aluminum, with springs and plate Flyer's chain, folded arm levelling
OVERLAPPING ARMS	no
TILT ANGLE	5° ~ 40°
CONSTRUCTION COLOUR	powder coating: white, beige, brown, graphite, silver+graphite
FABRIC	over 100 patterns
VALANCE	standard height 21cm (±0.5cm), shape like in the provided template, maximum height 40cm
MANUAL OPERATION	crank: 1.5m; 1.8m; 2.2m
AUTOMATIC DRIVE	motor, motor with manual override, remote control, wind-sun weather control, motor with electronic limit switches is recommended

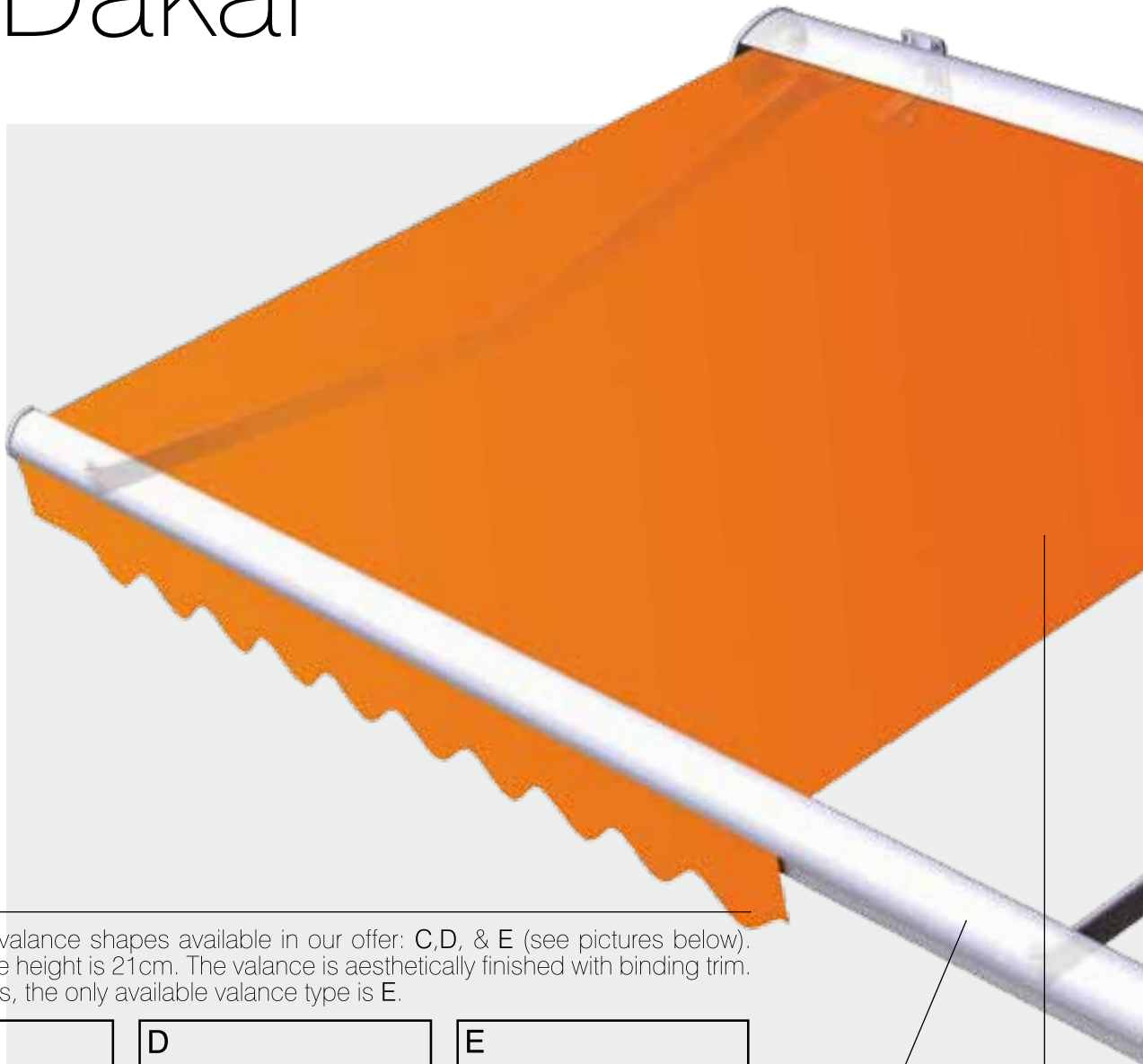


Dakar is the perfect solution for shading large terraces. A full streamlined cassette gives the awning a modern and elegant look and also protects the fabric and arms from weather conditions. To increase the protection of the fabric safety gaskets are applied inside the cassette. Folding arms made of aluminium alloy are mounted with aluminium brackets made through pressure casting. Precise joints with a plate link chain of stainless steel guarantee their durability and reliable operation. Awnings with a larger width are equipped with a support for the roller tube, thanks to which the fabric is stretched more uniformly. The construction of the awning is powder lacquered in white, graphite, silver with graphite finishing, beige, and brown.



terrace awning

Dakar



valance

There are three valance shapes available in our offer: C, D, & E (see pictures below). Standard valance height is 21cm. The valance is aesthetically finished with binding trim. For PLAIN fabrics, the only available valance type is E.



construction colours

For powder coating Selt company uses paints provided by renowned Swiss company - IGP. Using the IGP-DURA®Clean powders gives us a coating characterized by a surface that is resistant to dirt and easy to maintain.



Powderful Solutions.



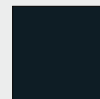
RAL 9010



RAL 1015



RAL 8016



RAL 7021



RAL 9006
RAL 7021

Crank and gearbox are available in following colours: RAL 9010, RAL 9013, RAL 8017, RAL 7035, RAL 7016.

fabric

All of the acrylic fabrics are impregnated using the protective agents TEFLON or SCOTCHGARD. They provide excellent protection and strengthen the fabric's resistance to water and dirt. It is important to remember that conditions such as acid rain, organic matter contamination and cleaning the fabric with abrasive chemicals may destroy the protective surface of the fabric.



construction

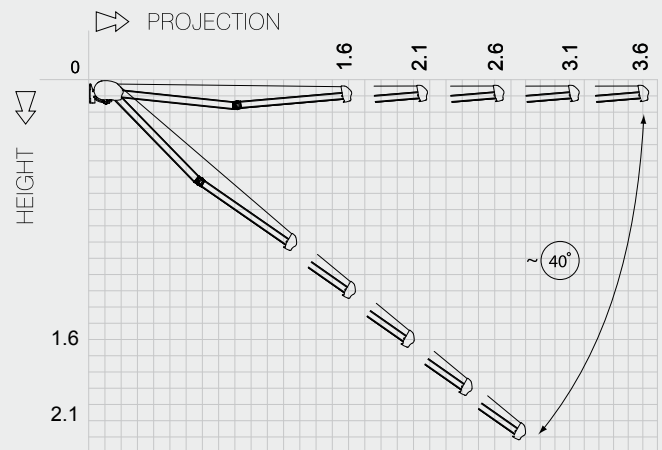
A full cassette made of extruded aluminium provides perfect protection for the fabric, as well as lightness and durability of the construction.

automation

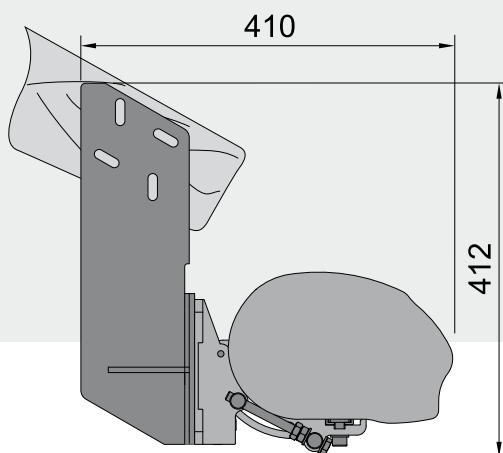
We offer such solutions from leading European manufacturers as: full wind and sun automation, motors with wireless or wire control and cranks.



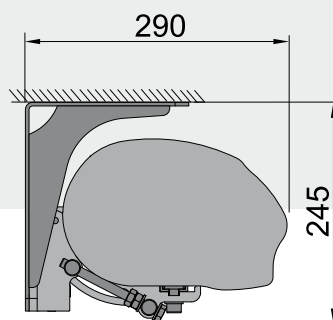
mounting



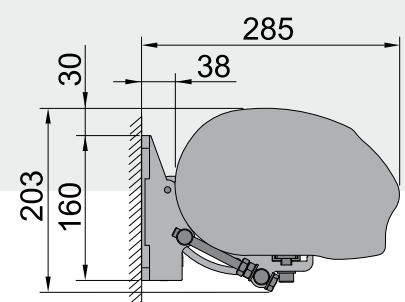
Tilt angle adjustment



Mounting on the rafters



Mounting on the ceiling



Mounting on the wall



balcony awning

Italia

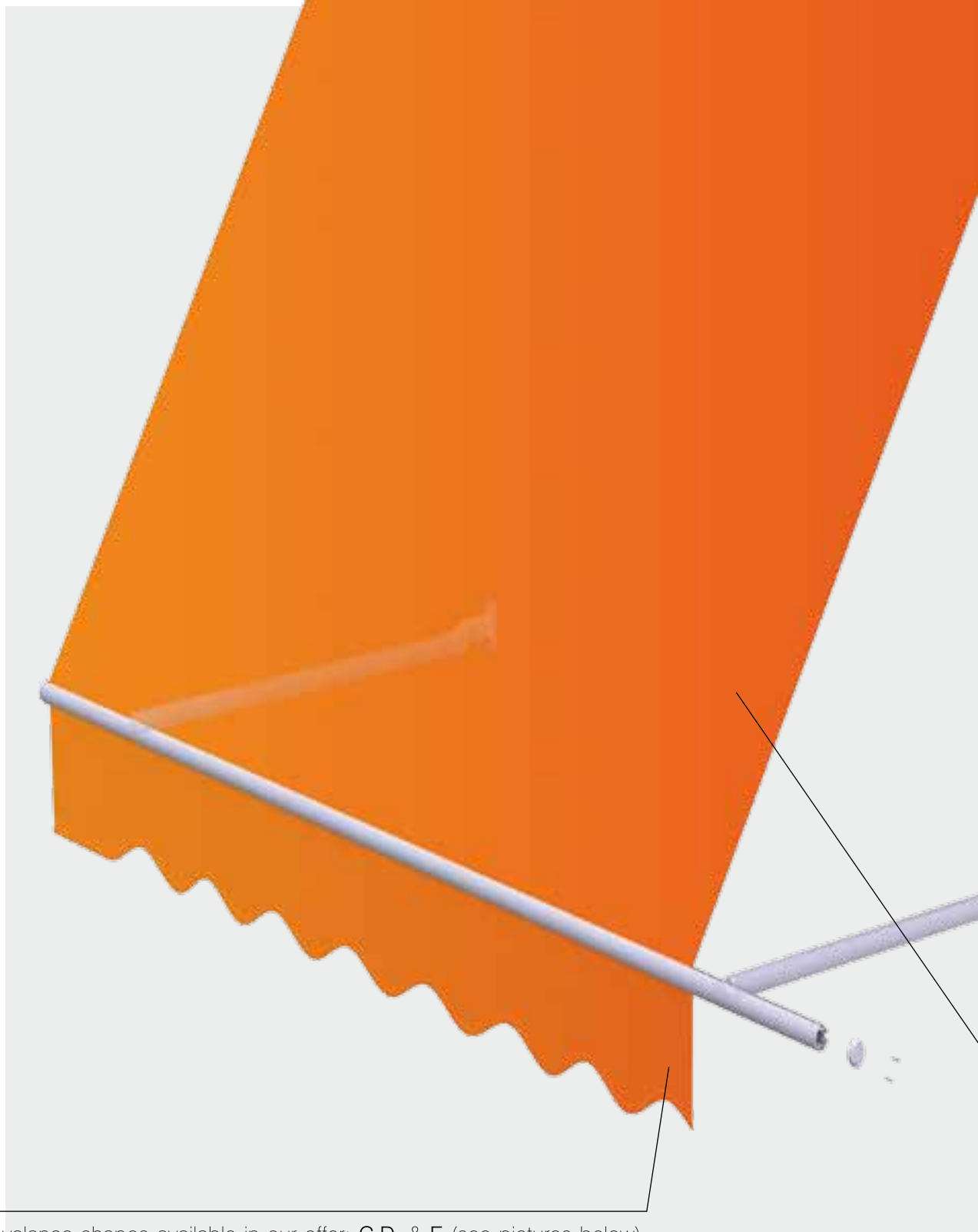
CASSETTE	no
ROLLER TUBE	70mm diameter
MOUNTING	wall, ceiling
PROJECTION	1.0m; 1.4m; 1.8m
MAXIMUM PROJECTION	1.8m
MAXIMUM WIDTH	5.0m
ARMS	drop arms, aluminum, with spring
OPTIONAL HOOD	no
CONSTRUCTION COLOUR	powder coating: white
FABRIC	over 100 patterns
VALANCE	standard height 21cm (± 0.5 cm), shape like in the provided template, maximum height 40cm
MANUAL OPERATION	crank: 1.5m; 1.8m; 2.2m
AUTOMATIC DRIVE	motor, motor with manual override, remote control, wind-sun weather control



Italia is a window and balcony awning for shading and protection of window niches, shop windows, balconies, terraces and verandas. Aluminium drop arms are equipped with a spring which tensions the fabric and prevents the arms from folding under wind pressure. The awning's weight is distributed between the arms and roller tube brackets. Thus ITALIA can be installed even in places where the strength of mounting surface excludes use of a terrace awning with folding arms. The light construction makes awning installation very easy. Construction elements are powder lacquered in white colour.

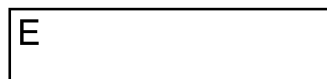


balcony awning
Italia



valance

There are three valance shapes available in our offer: C,D, & E (see pictures below). Standard valance height is 21cm. The valance is aesthetically finished with binding trim. For PLAIN fabrics, the only available valance type is E.



construction

Aluminium arms and brackets provide light and durable construction, as well as easy installation.

automation

We offer such solutions from leading European manufacturers as: full wind and sun automation, motors with wireless or wire control and cranks.

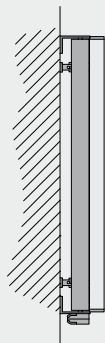
HOME MOTION by

somfy

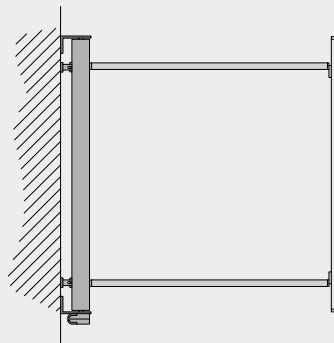


HERUBINI

mounting



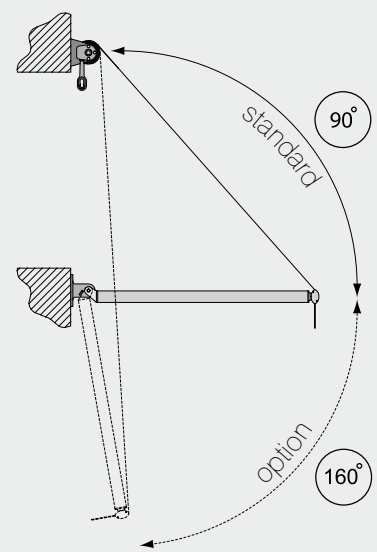
View from above closed awning



View from above opened awning



View from the side closed awning



View from the side – opened awning
If tilt angle exceeds 90° - surcharge for fabric

construction colours

For powder coating Selt company uses paints provided by renowned Swiss company - IGP. Using the IGP-DURA®Clean powders gives us a coating characterized by a surface that is resistant to dirt and easy to maintain.



Powderful Solutions.



RAL 9010

fabric

All of the acrylic fabrics are impregnated using the protective agents TEFLON or SCOTCHGARD. They provide excellent protection and strengthen the fabric's resistance to water and dirt. It is important to remember that conditions such as acid rain, organic matter contamination and cleaning the fabric with abrasive chemicals may destroy the protective surface of the fabric.





balcony awning

Italia

balcony

CASSETTE	no
ROLLER TUBE	70mm diameter
MOUNTING	wall, ceiling
PROJECTION	0.7m
MAXIMUM PROJECTION	0.7m (2.1m fabric on the roller tube)
MAXIMUM WIDTH	5.0m
ARMS	drop arms, aluminum
OPTIONAL HOOD	no
CONSTRUCTION COLOUR	powder coating: white
FABRIC	over 100 patterns
VALANCE	standard height 21cm (± 0.5 cm), shape like in the provided template, maximum height 40cm
MANUAL OPERATION	crank: 1.5m; 1.8m; 2.2m
AUTOMATIC DRIVE	no



Balcony Italia is an aesthetic solution for protection from the sun. It is also a practical decoration for balconies, terraces and balcony niches. The characteristic arms for this awning are fixed to the balcony balustrade. Their construction enables proper inclination adjustment. There are hooks at both ends of the arms that latch onto the front bar. Suitable fabric tension is achieved by rolling-up any excess fabric. The light construction makes awning installation very easy. Balustrade arms give more freedom for installation on balconies. Construction elements are powder lacquered in white colour.



balcony awning
Italia
balcony



valance

There are three valance shapes available in our offer: C,D, & E (see pictures below). Standard valance height is 21cm. The valance is aesthetically finished with binding trim. For PLAIN fabrics, the only available valance type is E.



construction

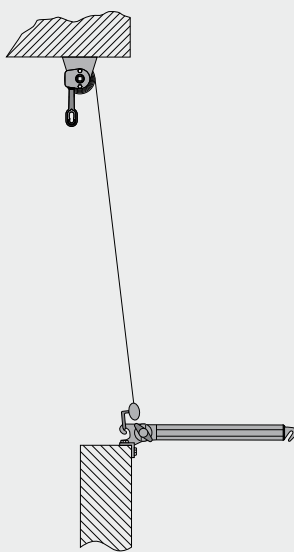
Aluminium arms and brackets provide light and durable construction, as well as easy installation.



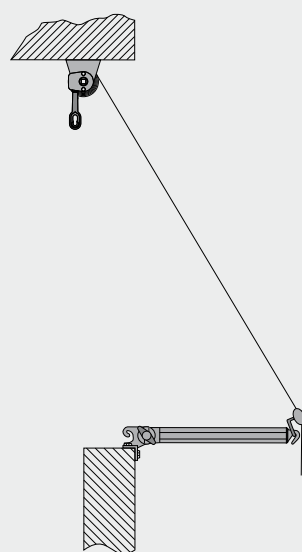
mounting



Installation to the arm hook (lowered arm)



Installation to the arm hook



Installation to the arm hook

construction colours

For powder coating Selt company uses paints provided by renowned Swiss company - IGP. Using the IGP-DURA@Clean powders gives us a coating characterized by a surface that is resistant to dirt and easy to maintain.



Powderful Solutions.

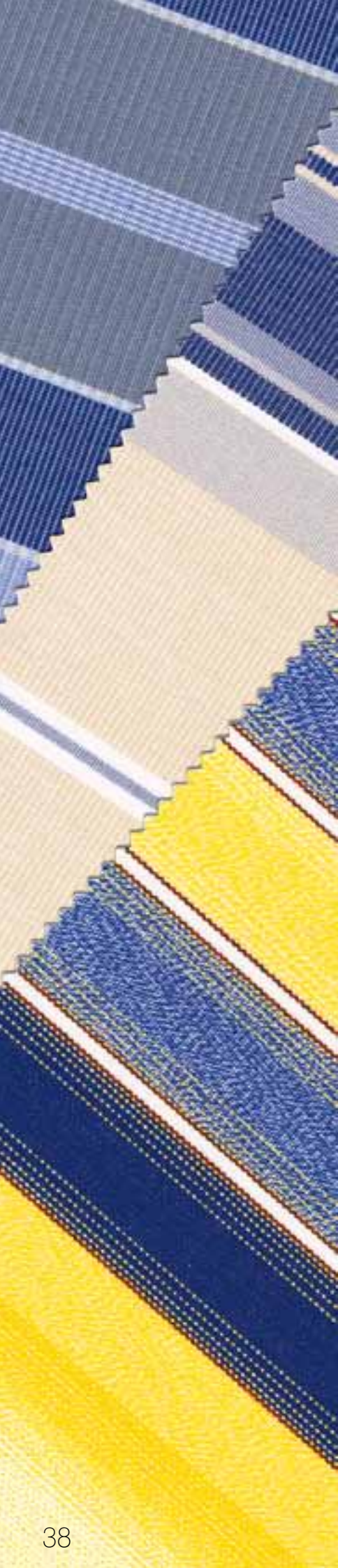


RAL 9010

fabric

All of the acrylic fabrics are impregnated using the protective agents TEFLON or SCOTCHGARD. They provide excellent protection and strengthen the fabric's resistance to water and dirt. It is important to remember that conditions such as acid rain, organic matter contamination and cleaning the fabric with abrasive chemicals may destroy the protective surface of the fabric.





balcony awning

Italia box

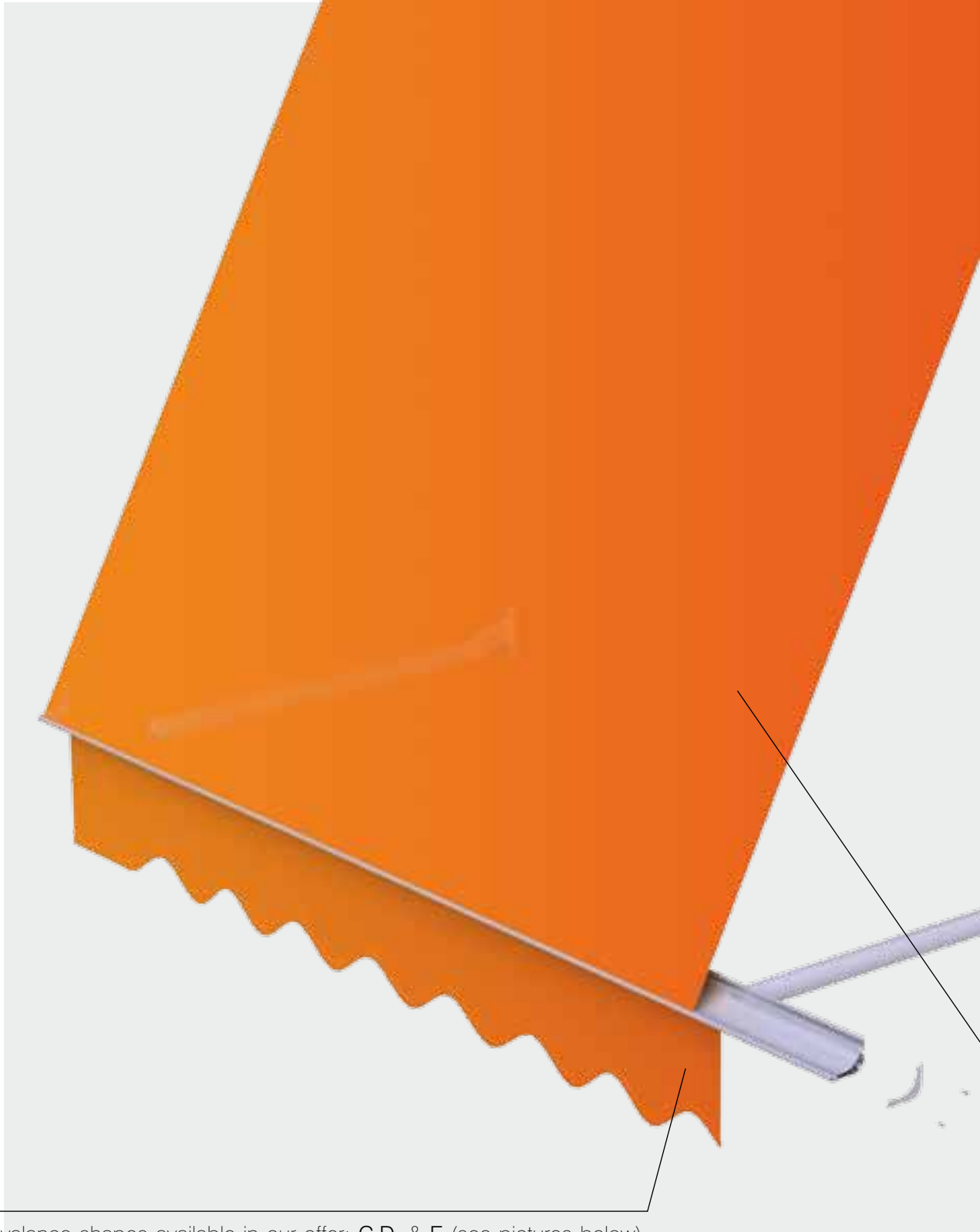
CASSETTE	yes
ROLLER TUBE	70mm diameter
MOUNTING	wall, ceiling
PROJECTION	1.0m; 1.4m;
MAXIMUM PROJECTION	1.4m
MAXIMUM WIDTH	5.0m
ARMS	drop arms, aluminum, with spring
CONSTRUCTION COLOUR	powder coating: white
FABRIC	over 100 patterns
VALANCE	standard height 21cm (± 0.5 cm), shape like in the provided template, maximum height 40cm
MANUAL OPERATION	crank: 1.5m; 1.8m; 2.2m
AUTOMATIC DRIVE	motor, motor with manual override, remote control, wind-sun weather control



Box Italia is a window and balcony awning for shading and protection of window niches, shop windows, balconies, terraces and verandas. An aluminium box covers the fabric and protects it from adverse weather conditions. Aluminium drop arms are equipped with a spring which keeps the fabric tensioned and prevents the arms from folding under wind pressure. The awning's weight is distributed between the arms and roller tube supports. Thus a box Italia could be installed even where the strength of the mounting surface excludes the use of a terrace awning with folding arms. The light construction makes the awning installation very easy. Construction elements are powder lacquered in white colour.

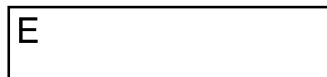


balcony awning
Italia
box



valance

There are three valance shapes available in our offer: C,D, & E (see pictures below). Standard valance height is 21cm. The valance is aesthetically finished with binding trim. For PLAIN fabrics, the only available valance type is E.



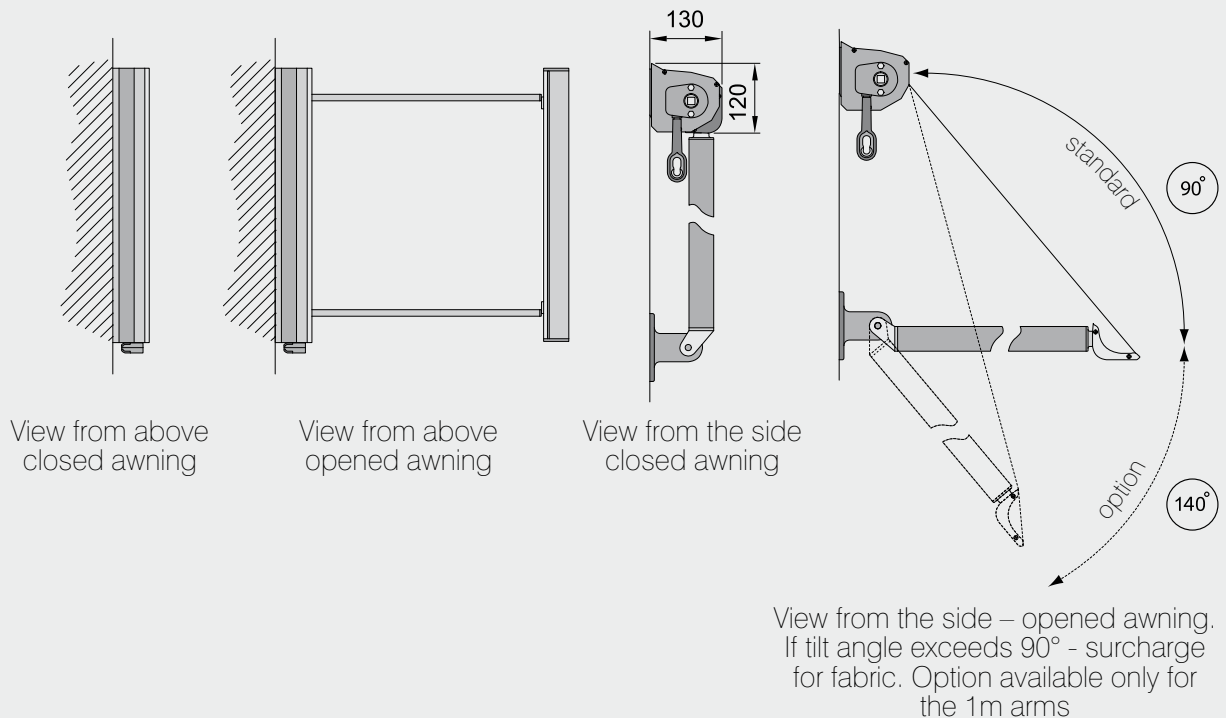
The extruded aluminium cassette provides perfect protection for the rolled-up fabric from adverse weather conditions.

automation

We offer such solutions from leading European manufacturers as: full wind and sun automation, motors with wireless or wire control and cranks.

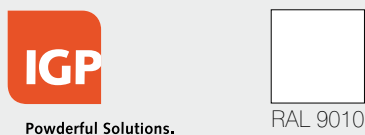


mounting



construction colours

For powder coating Selt company uses paints provided by renowned Swiss company - IGP. Using the IGP-DURA®Clean powders gives us a coating characterized by a surface that is resistant to dirt and easy to maintain.



fabric

All of the acrylic fabrics are impregnated using the protective agents TEFLON or SCOTCHGARD. They provide excellent protection and strengthen the fabric's resistance to water and dirt. It is important to remember that conditions such as acid rain, organic matter contamination and cleaning the fabric with abrasive chemicals may destroy the protective surface of the fabric.



